

## 阅读申明

- 1.本站收集的数据手册和产品资料都来自互联网，版权归原作者所有。如读者和版权方有任何异议请及时告之，我们将妥善解决。
- 2.本站提供的中文数据手册是英文数据手册的中文翻译，其目的是协助用户阅读，该译文无法自动跟随原稿更新，同时也可能存在翻译上的不当。建议读者以英文原稿为参考以便获得更精准的信息。
- 3.本站提供的产品资料，来自厂商的技术支持或者使用者的心得体会等，其内容可能存在描述上的差异，建议读者做出适当判断。
- 4.如需与我们联系，请发邮件到marketing@iczoom.com，主题请标有“数据手册”字样。

## Read Statement

1. The datasheets and other product information on the site are all from network reference or other public materials, and the copyright belongs to the original author and original published source. If readers and copyright owners have any objections, please contact us and we will deal with it in a timely manner.
2. The Chinese datasheets provided on the website is a Chinese translation of the English datasheets. Its purpose is for reader's learning exchange only and do not involve commercial purposes. The translation cannot be automatically updated with the original manuscript, and there may also be improper translations. Readers are advised to use the English manuscript as a reference for more accurate information.
3. All product information provided on the website refer to solutions from manufacturers' technical support or users the contents may have differences in description, and readers are advised to take the original article as the standard.
4. If you have any questions, please contact us at marketing@iczoom.com and mark the subject with "Datasheets" .

## Type 5ST / 5STP Time-lag Fuse Series (Low Breaking Capacity)

5 x 20mm Glass Tube

5STD0801



### Electrical Characteristics (IEC-127-2 STANDARD SHEET 3)

Rated Current	1.5 In		2.1 In		2.75 In		4 In		10 In	
	MIN	MAX	MIN	MAX	MIN	MAX	MIN	MAX	MIN	MAX
63mA to 100mA	1	2	200	10	40	3	10	300		
125mA and above	1	2	600	10	150	3	20	300		
	hr.	min.	ms	sec	ms	sec	ms	ms		

### Approvals



Safety Agency Approvals	Amp range / Volt @ I.R. ability
Certificate No. 0045061 License No. 85636 Certificate No. E1261	63mA - 6.3A / 250V AC@ 35A or 10 In whichever is greater
Recognized File No. E20624 Acceptance File No. LR39772	63mA - 10A / 250V AC@ 35A or 10 In whichever is greater

### Operating Temperature

-55°C to +125°C

### Physical Specification

#### Materials

Glass body / Nickel Plated Brass Caps

Lead wire:

Tin-lead plated Copper,

Diameter 0.032", 6.3A and less

Diameter 0.040", 8A and above

#### Marking

On fuse:

"bel", "T", "Current Rating", "L", "250V" and "Appropriate Safety Logos"

On label:

Above info plus "5ST" or "5STP", "CE" and interrupting rating

#### Packaging

1. In bulk:

5ST - 1,000 pcs per box; 5STP - 500 pcs per box

2. On Axial Tape & Reel:

1,500 pcs per reel

3. Tape & Reel specification:

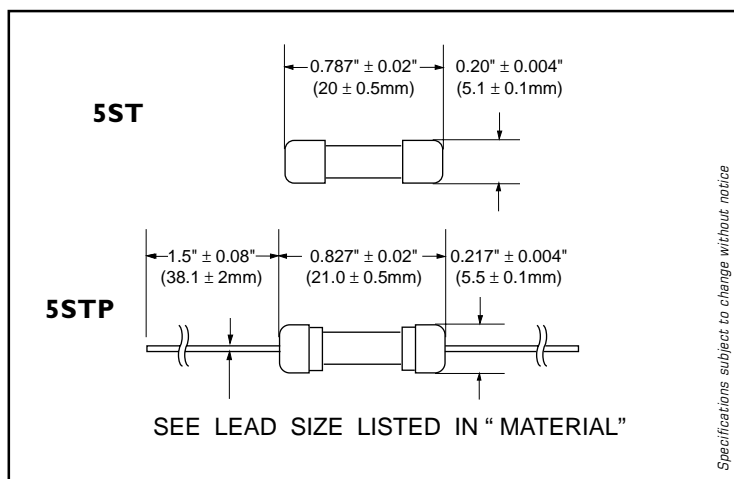
per EIA-296-E & IEC 286-1

@ 10mm Pitch and 63.5mm inside Tape Spacing

Catalog Number	Ampere Rating	Typical Cold Resistance (ohm)	Volt-drop @ 100% In (Volt) max.	Melting I <sup>2</sup> T < 10 mSec (A <sup>2</sup> Sec)	Melting I <sup>2</sup> T @ 10 In (A <sup>2</sup> Sec)	Maximum Power Dissipation (W)
5ST (P) 63	63mA	23.9	2.77	0.008	0.021	0.28
5ST (P) 80	80mA	15.7	2.24	0.015	0.036	0.29
5ST (P) 100	100mA	10.3	1.82	0.03	0.06	0.30
5ST (P) 125	125mA	6.8	1.47	0.05	0.11	0.30
5ST (P) 160	160mA	4.4	1.19	0.08	0.19	0.31
5ST (P) 200	200mA	2.9	0.97	0.15	0.33	0.32
5ST (P) 250	250mA	1.9	0.78	0.26	0.58	0.32
5ST (P) 315	315mA	1.3	0.63	0.46	1.01	0.33
5ST (P) 400	400mA	0.82	0.51	0.81	1.76	0.34
5ST (P) 500	500mA	0.54	0.42	1.4	3.1	0.34
5ST (P) 630	630mA	0.22	0.17	0.9	1.5	0.18
5ST (P) 800	800mA	0.15	0.15	1.6	2.5	0.20
5ST (P) 1	1A	0.07	0.10	2.4	3.3	0.17
5ST (P) 1.25	1.25A	0.06	0.09	4.1	5.5	0.19
5ST (P) 1.6	1.6A	0.04	0.09	6.9	8.9	0.23
5ST (P) 2	2A	0.03	0.08	12	15	0.26
5ST (P) 2.5	2.5A	0.02	0.07	20	24	0.31
5ST (P) 3.15	3.15A	0.018	0.07	33	39	0.36
5ST (P) 4	4A	0.014	0.06	56	64	0.42
5ST (P) 5	5A	0.011	0.06	95	105	0.49
5ST (P) 6.3	6.3A	0.008	0.06	160	173	0.57
5ST (P) 8	8A	0.006	0.06	260	282	0.8
5ST (P) 10	10A	0.005	0.06	439	461	1.0

Consult manufacturer for other ratings

### Mechanical Dimensions



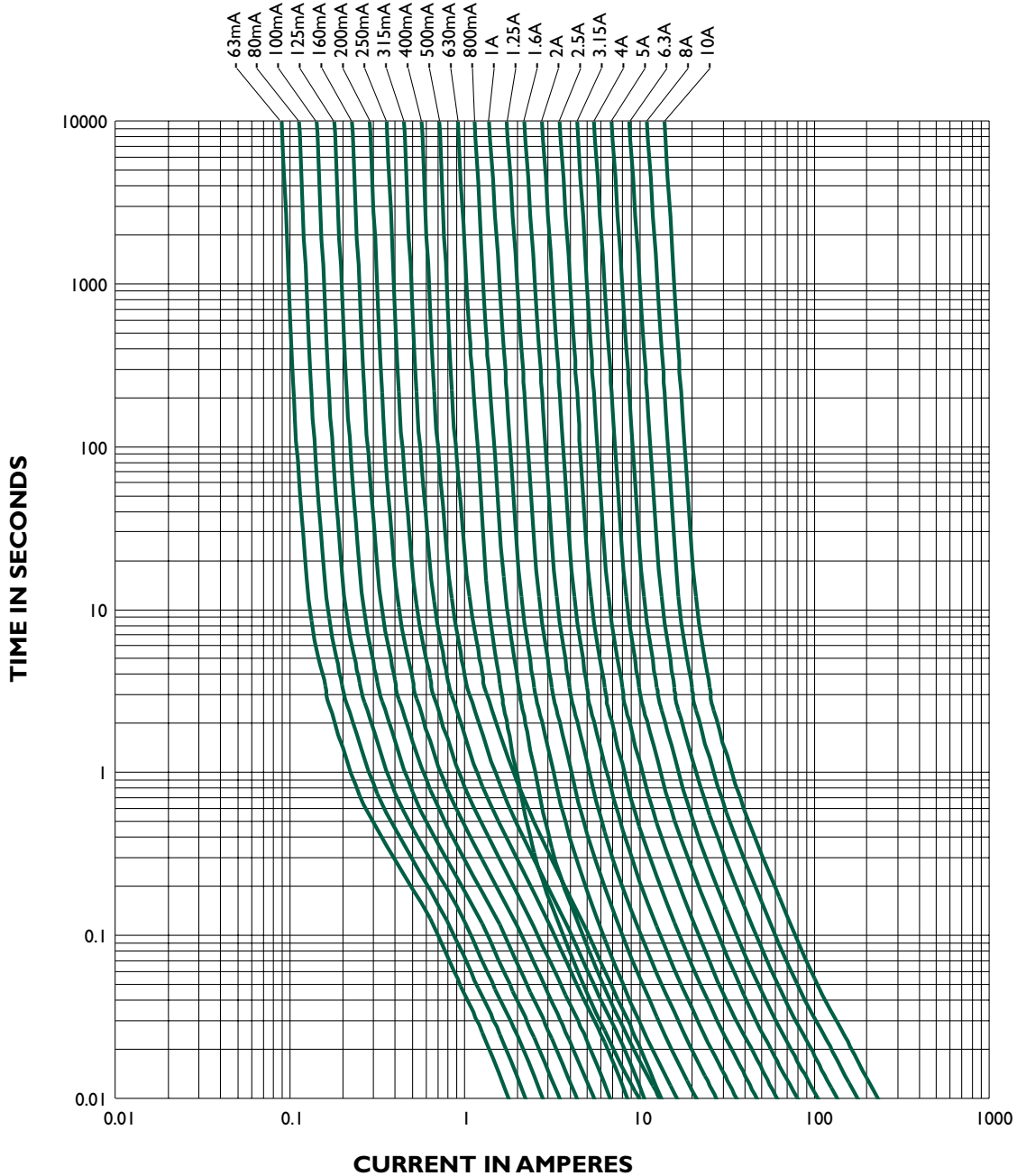
ORDERING INFORMATION SEE PAGES 67 & 68

**Type 5ST / 5STP**  
**Time-lag Fuse Series (Low Breaking Capacity)**

5 x 20mm Glass Tube

5STC0801

**5ST / 5STP - TIME CURRENT CHARACTERISTIC CURVE**



Specifications subject to change without notice

NOTE - see important information under "User Guide" on P.08

**Corporate Office**  
**Bel Fuse Inc.**  
 206 Van Vorst Street, Jersey City, NJ 07302  
 Tel: 201-432-0463  
 Fax: 201-432-9542  
 E-Mail: [belfuse@belfuse.com](mailto:belfuse@belfuse.com)  
 Website: [www.belfuse.com](http://www.belfuse.com)

**Far East Office**  
**Bel Fuse Ltd.**  
 8F/8 Luk Hop Street  
 San Po Kong  
 Kowloon, Hong Kong  
 Tel: 852-2328-5515  
 Fax: 852-2352-3706

**European Office**  
**Bel Fuse Europe Ltd.**  
 Preston Technology Management Centre  
 Marsh Lane, Preston PR1 8UD  
 Lancashire, U.K  
 Tel: 44-1772-556601  
 Fax: 44-1772-888366